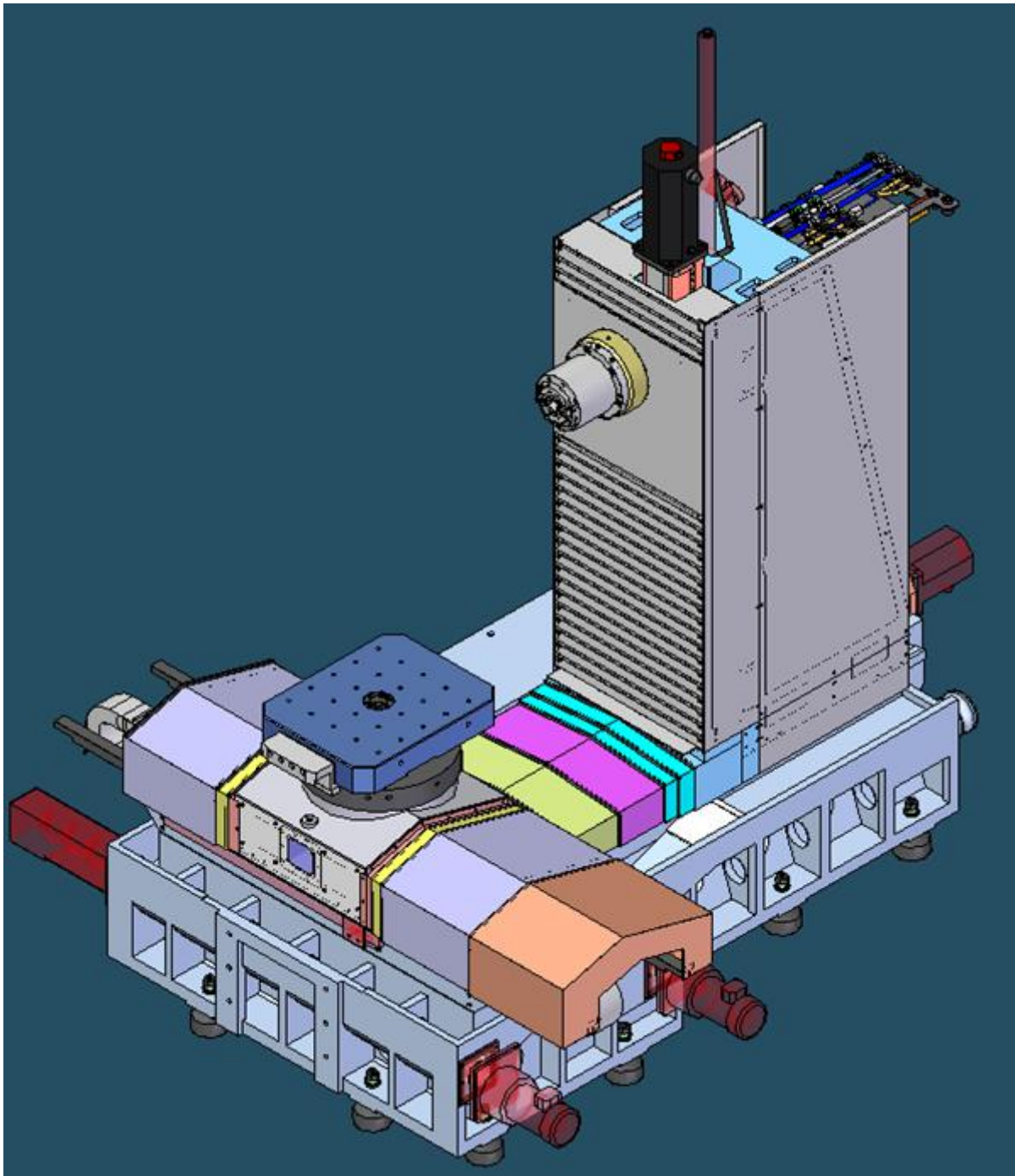




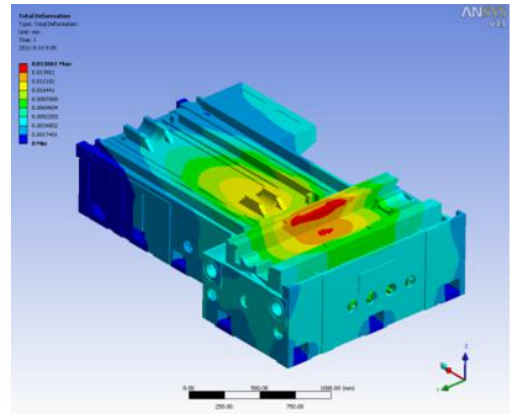
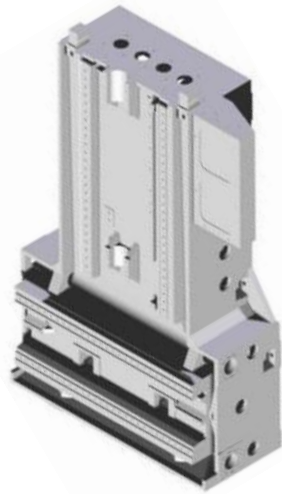
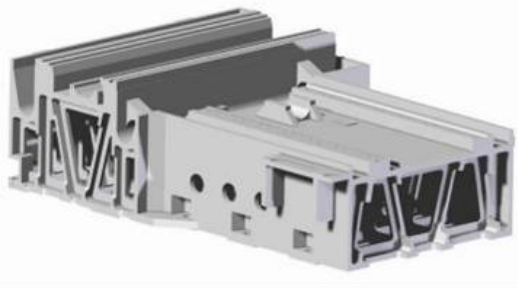
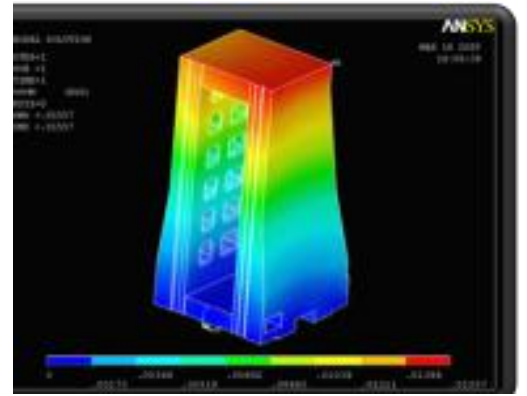
HMC630
HORIZONTAL MACHINING CENTER

Machine body main parts layout



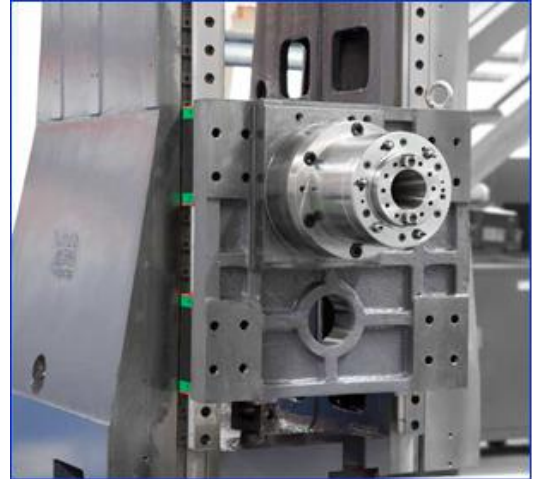
All the machine parts adopted finite element analysis

All With square cross supporter



"M" type cross supporter ,the base weight more than 4000Kg

Spindle



Spindle motor power 11/15Kw

Spindle speed 6000rpm

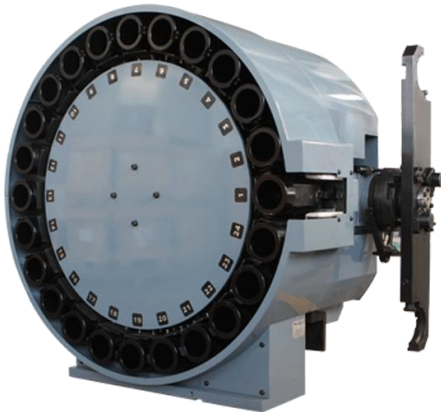
Torque 140/191Nm

Standard machine with spindle house oil cooling system to reduce heat distortion during working and keep the stable machining accuracy.

Spindle bearings are three supporter type and six pairs, the dia $\Phi 90\text{mm}$, high rigidity and rotating accuracy.

Spindle front section with “air window” to protect bearings and increase life span.

Tool magazine



Standard: BT50 , 24 position Arm type tool magazine are made by POJU who is Professional tool manufacturers in Taiwan.

Optional: Chain type 40T tool magazine

Tool holder type BT50



Max.Tool Dia D

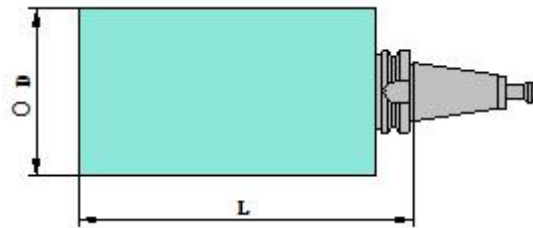
Φ 112mm (continue)

Φ 200mm (Empty)

Max.Tool length L 350mm

Max.Tool weight 18kg

Changing time (Tool-Tool) 3.8s



Standard JAPAN brand Bearings for all ball screws



TOP TAIWAN brand Ball screw & linear guideway



Double nuts C3 level grinded ball screws
Screw diameter* pitch: 40*12/40*12/50*12



Roller type linear rails for three axis
The rail size and model: RGW45/RGH45/RGW55
Three axis Slide load block quantity: 4/4/4

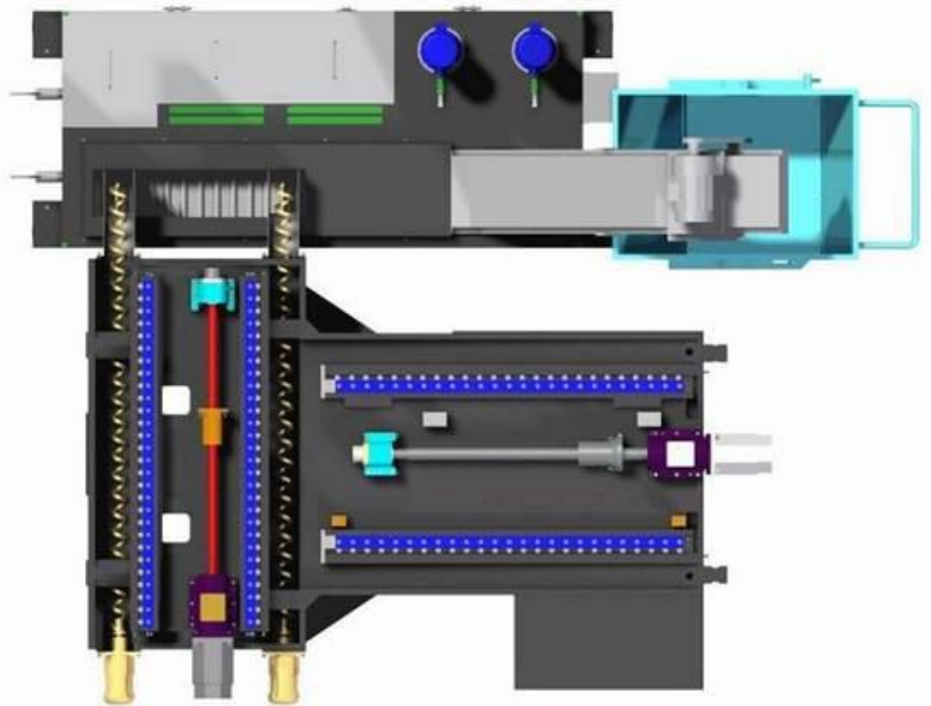


Three Automatic chip conveyors

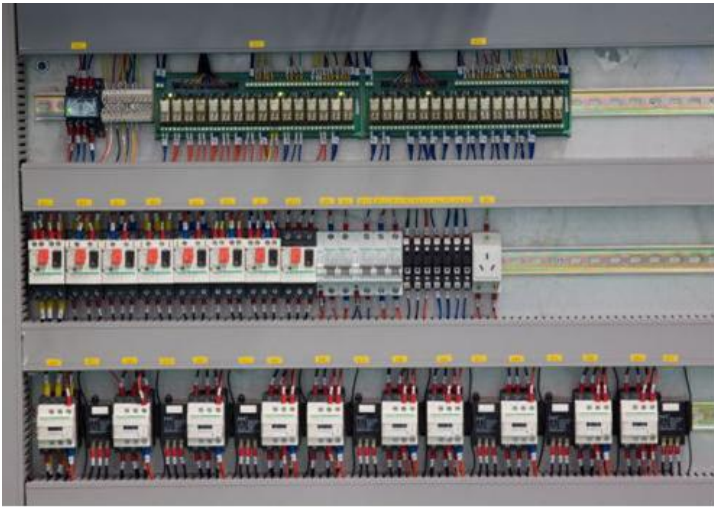
Two screw type and one Chain type

Two screw type conveyor to move the chips from inside machine to outside chain type conveyor during working, and the outside chip conveyor transfer the chips to chips tank.

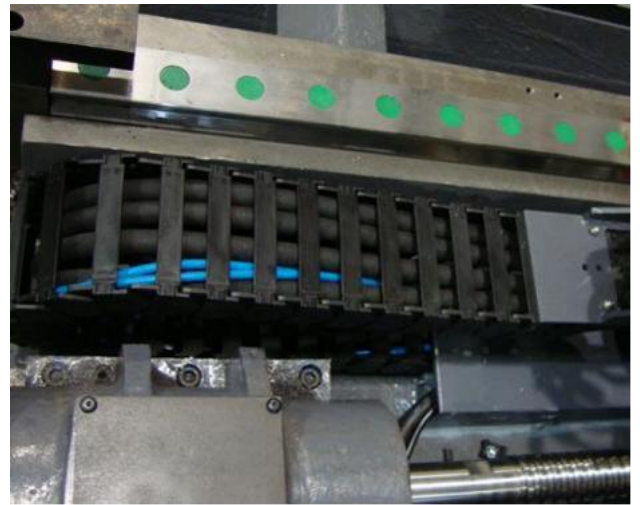
The whole process is smoothly and high efficiency to clean the chips, reduce the machine body heat, escape from machine body heat distortion.



Electrical cabinet inside layout



All cables in line covered by chain



The big slant angle for protect cover



Oil separate system for coolant



All air valves are in one opened separate zone ,easy for repairing and maintenance

The lubrization system is with NC control and manual switch also, easy to check the lubrication condition and find problems.